

Simplified Single Line Diagram (SLD) Template

Rule 21 SNEM Paired Storage

SNEM Paired Storage Systems with inverter nameplate rating less than or equal to 30 kVA/kW and Storage less than or equal to 10 kVA/kW

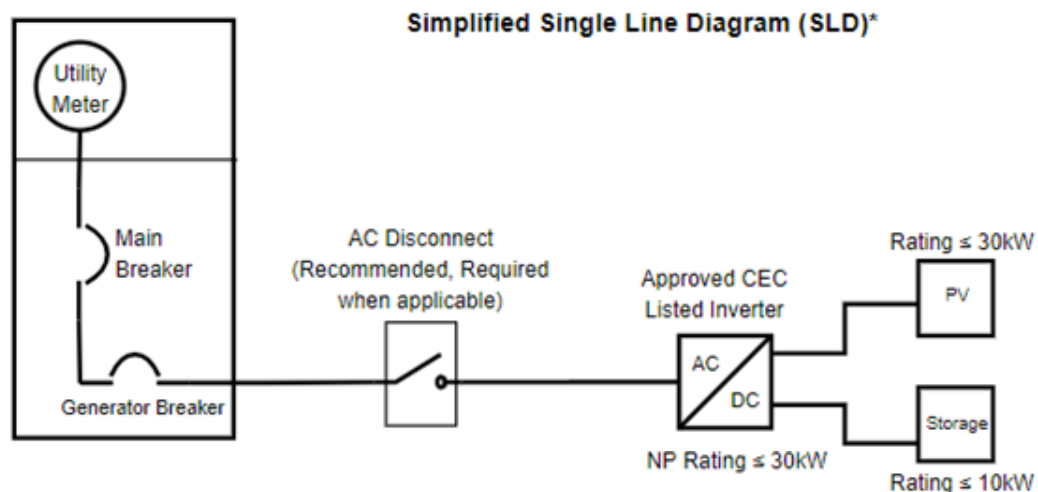
Basic Single Line Diagram (SLD):

By checking this box, I certify all of the following:

- 1) The SLD below and the Generating Facility equipment information in the application accurately represent the Customer's service including existing and proposed generation and/or energy storage systems (ESS) equipment
- 2) The project does not require a Variance request
- 3) Producer's storage device(s) will not cause the Host Load to exceed its normal peak demand. Normal peak demand is defined as the highest amount of power required from the Distribution System by Producer's complete facilities without the influence or use of the energy storage device(s)

Utility Service: (if using the SLD to the right)

Panel Voltage (Volts)	Main Breaker (Amps)	Generator Breaker (Amps)



*See Greenbook Table 5-4 for AC Disconnect Requirements, www.pge.com/greenbook

*The simplified SLD represents only equipment that is required by PG&E for interconnection for this specific application only

NOTE: If you cannot certify the above, you need to submit a custom SLD. You do not need to submit the basic SLD, if it is not applicable. Custom SLDs should include: 1) the service address, 2) meter number, 3) quantity, make, model of all generation equipment, 4) existing generation (if applicable), 5) the utility service ratings show in the basic SLD above, 6) point of interconnection clearly identified in relation to the main breaker, 7) PG&E reserves the right to require a project specific (custom) SLD for certain projects that may require a more detailed review.